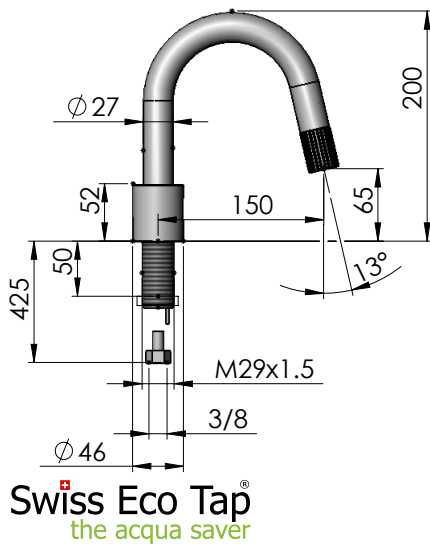


WASHBASIN PILLAR TAP DESIGN LINE IR-SENSOR



FEATURES

- ♦ Infrared sensor technology
- ♦ 150 mm projection
- ♦ Fixed spout
- ♦ Automatic shut-off after pre-set time is reached
- ♦ Adjustable sensor detection range
- ♦ Battery or plug-in power supply operated
- ♦ 4 x AA 1.5 V Lithium batteries required
- ♦ Connection only to cold water pipe (energy saving 100%) or mixed water pipe
- ♦ Tmax 25 °C (security against legionella)
- ♦ Temperature resistance: 80 °C
- ♦ Batteries not included

Article-No.	Nozzle	Flow rate l/min at 3 bars	Water saving	Energy saving
A59894-001-xxx	EcoJet	0.65	93%	100%
A59894-101-xxx	EcoTwist	1.30	86%	100%
A59894-201-xxx	EcoPearl	1.80	80%	100%
A59894-401-xxx	EcoRegular	4.90	60%	100%

Finishing (-xxx)

008	CL	Chrome
026	CO	White
107	SM	Black matt
454	ST	Stylox
601	CG	Chrome / nozzle gold

